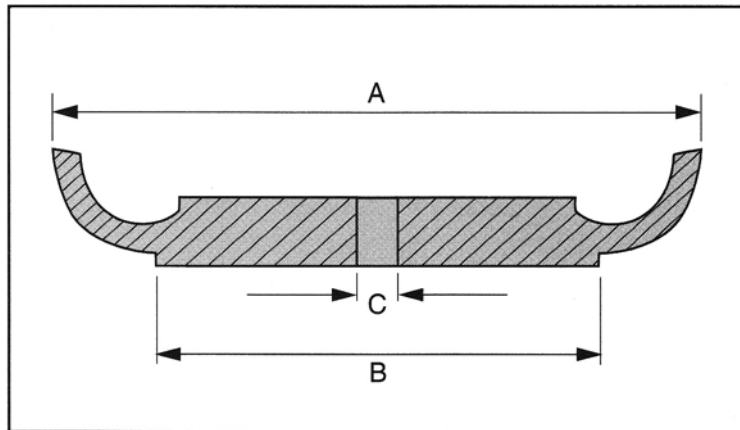


Type "A" Polyurethane Scraper Cups

Replacement Parts for Steel Mandrel Pipeline Pigs
 by Girard Industries & other manufacturers



- Made of liquid cast polyurethane.
- High tear strength.
- Outstanding cut and abrasion resistance.
- Center hole and bolt circle can be modified to fit most pig bodies.
- Various durometers to fit different applications.

Size	A	B	C	Bolt Circle	No. Bolt Holes	Weight
	Trailing Edge OD	Leading Edge OD	Center Hole			
3"	3 1/4"	2"	3/4"	*	*	0.2 lbs.
4"	4 3/8"	2 9/16"	3/4"	*	*	0.3 lbs.
6"	6 1/2"	4 1/2"	7/8"	*	*	1.0 lbs.
8"	8 1/2"	6"	7/8"	*	*	1.6 lbs.
10"	10 5/8"	7"	1 1/4"	*	*	2.2 lbs.
12"	12 11/16"	9 1/2"	1 1/4"	*	*	4.0 lbs.
14"	14 1/8"	10 5/8"	1 1/4"	*	*	5.0 lbs.

* Available upon request.