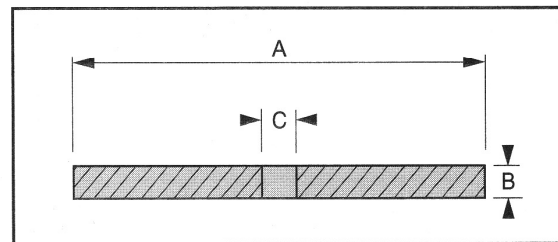
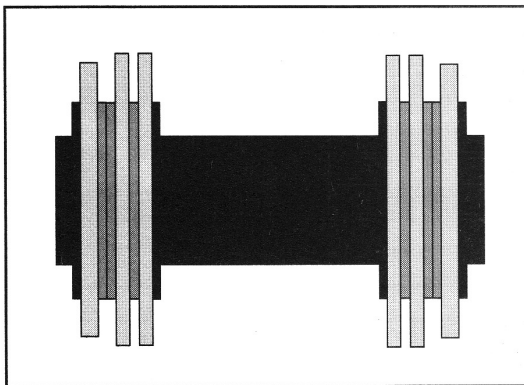


Polyurethane Guide / Sealing / Spacer Discs for Bidirectional Pigs

Replacement Parts for Steel Mandrel Pipeline Pigs
by Girard Industries & other manufacturers

- Made of liquid cast polyurethane.
- Outstanding cut and abrasion resistance.
- Center hole and bolt circle can be modified to fit ALL pig bodies.
- High tear strength.
- Disc OD can be sized to fit any pipeline ID.
- Custom disc thickness available.

Sizes 4" - 14" OD

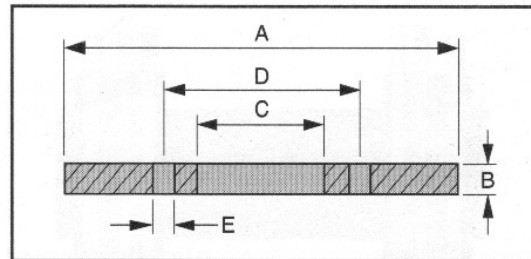
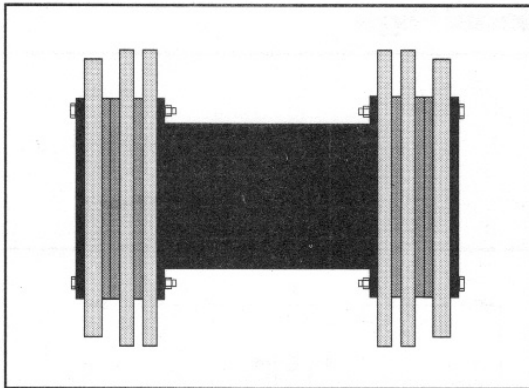


Size	Type	A	B	C	Approx. Weight
		OD	Thickness	Center Hole	
4"	Guide Disc	4.0"	3/8"	9/16"	0.2 lbs
	Sealing Disc	4 3/8"	1/4"	9/16"	0.2 lbs
	Spacer Disc	2.0"	1/4"	9/16"	0.1 lbs
6"	Guide Disc	6.0"	5/8"	1 1/16"	0.8 lbs
	Sealing Disc	6 5/8"	3/8"	1 1/16"	0.6 lbs
	Spacer Disc	3.0"	1/2"	1 1/16"	0.2 lbs

8"	Guide Disc	8.0"	5/8"	1 1/16"	1.4 lbs
	Sealing Disc	8 5/8"	1/2"	1 1/16"	1.3 lbs
	Spacer Disc	4.0"	1/2"	1 1/16"	0.3 lbs
10"	Guide Disc	10.0"	3/4"	1 1/16"	2.6 lbs

	Sealing Disc	10 3/4"	5/8"	1 1/16"	2.5 lbs
	Spacer Disc	6.0"	5/8"	1 1/16"	0.8 lbs
12"	Guide Disc	12.0"	1.0"	1 1/16"	5.0 lbs
	Sealing Disc	12 3/4"	5/8"	1 1/16"	3.5 lbs
	Spacer Disc	7.0"	5/8"	1 1/16"	1.4 lbs
14"	Guide Disc	13 1/4"	1.0"	1 1/16"	6.0 lbs
	Sealing Disc	14.0"	5/8"	1 1/16"	4.2 lbs
	Spacer Disc	10.0"	5/8"	1 1/16"	2.2 lbs

Sizes 16" - 48" OD



Size	Type	A	B	C	D	E	Approx. Weight
		OD	Thickness	Center Hole	Bolt Circle	Bolt #-size	
16"	Guide Disc	15 1/4"	1 1/8"	8 7/8"	11.0"	8 - 9/16"	5.9 lbs.
	Sealing Disc	16.0"	3/4"	8 7/8"	11.0"	8 - 9/16"	4.5 lbs.
	Spacer Disc	13.0"	3/4"	8 7/8"	11.0"	8 - 9/16"	2.3 lbs.
16cc	Guide Disc	15 1/4"	1 1/8"	6 7/8"	8 1/2"	8 - 9/16"	7.3 lbs.
	Sealing Disc	16.0"	3/4"	6 7/8"	8 1/2"	8 - 9/16"	5.5 lbs.
	Spacer Disc	10 3/4"	3/4"	6 7/8"	8 1/2"	8 - 9/16"	2.4 lbs.
16ccs	Guide Disc	15 1/4"	1 1/8"	4 3/4"	8 1/2"	8 - 9/16"	8.2 lbs.

	Sealing Disc	16.0"	3/4"	4 3/4"	8 1/2"	8 - 9/16"	6.1 lbs.
	Spacer Disc	10 3/4"	3/4"	4 3/4"	8 1/2"	8 - 9/16"	3.3 lbs.
18"	Guide Disc	17 1/4"	1 1/8"	11"	12 3/4"	8 - 9/16"	6.8 lbs.
	Sealing Disc	18.0"	3/4"	11"	12 3/4"	8 - 9/16"	5.2 lbs.
	Spacer Disc	14 3/4"	3/4"	11"	12 3/4"	8 - 9/16"	2.5 lbs.
18/16	Guide Disc	17 1/4"	1 1/8"	8 7/8"	11.0"	8 - 9/16"	8.5 lbs.
	Sealing Disc	18.0"	3/4"	8 7/8"	11.0"	8 - 9/16"	6.4 lbs.
	Spacer Disc	13.0"	3/4"	8 7/8"	11.0"	8 - 9/16"	2.3 lbs.

18CC	Guide Disc	17 1/4"	1 1/8"	8 7/8"	10 1/2"	12 - 9/16"	8.5 lbs.
	Sealing Disc	18.0"	3/4"	8 7/8"	10 1/2"	12 - 9/16"	6.4 lbs.
	Spacer Disc	12 3/4"	3/4"	8 7/8"	10 1/2"	12 - 9/16"	2.2 lbs.
20"	Guide Disc	19 1/4"	1 1/4"	11"	13 1/2"	12 - 9/16"	10.7 lbs.
	Sealing Disc	20.0"	1.0"	11"	13 1/2"	12 - 9/16"	9.5 lbs.
	Spacer Disc	15 1/2"	1.0"	11"	13 1/2"	12 - 9/16"	4.1 lbs.
20CC	Guide Disc	19 1/4"	1 1/4"	8 7/8"	10 1/2"	12 - 9/16"	12.6 lbs.
	Sealing Disc	20.0"	1.0"	8 7/8"	10 1/2"	12 - 9/16"	11.1 lbs.
	Spacer Disc	12 3/4"	1.0"	8 7/8"	10 1/2"	12 - 9/16"	2.9 lbs.
20CCS	Guide Disc	19 1/4"	1 1/4"	6 7/8"	10 1/2"	12 - 9/16"	13.7 lbs.
	Sealing Disc	20.0"	1.0"	6 7/8"	10 1/2"	12 - 9/16"	12.2 lbs.
	Spacer Disc	12 3/4"	1.0"	6 7/8"	10 1/2"	12 - 9/16"	4.0 lbs.
24"	Guide Disc	23 1/4"	1 1/4"	14 1/4"	16 1/2"	14 - 9/16"	14.4 lbs.
	Sealing Disc	24.0"	1.0"	14 1/4"	16 1/2"	14 - 9/16"	12.8 lbs.
	Spacer Disc	18 1/2"	1.0"	14 1/4"	16 1/2"	14 - 9/16"	4.8 lbs.
24CC	Guide Disc	23 1/4"	1 1/4"	11.0"	13.0"	14 - 9/16"	18.2 lbs.
	Sealing Disc	24.0"	1.0"	11.0"	13.0"	14 - 9/16"	14.0 lbs.
	Spacer Disc	15.0"	1.0"	11.0"	13.0"	14 - 9/16"	3.6 lbs.
26"	Guide Disc	25 1/4"	1 1/4"	14 1/4"	16 1/2"	14 - 9/16"	18.6 lbs.
	Sealing Disc	26.0"	1.0"	14 1/4"	16 1/2"	14 - 9/16"	16.2 lbs.
	Spacer Disc	18 1/2"	1.0"	14 1/4"	16 1/2"	14 - 9/16"	4.8 lbs.
28"	Guide Disc	27 1/4"	1 1/2"	15 1/4"	18.0"	14 - 9/16"	26.1 lbs.
	Sealing Disc	28.0"	1 1/8"	15 1/4"	18.0"	14 - 9/16"	21.2 lbs.
	Spacer Disc	20 1/2"	1 1/8"~	15 1/4"	18.0"	14 - 9/16"	7.2 lbs.
30"	Guide Disc	29 1/4"	1 5/8"	16 1/4"	19 1/2"	16 - 9/16"	33.2 lbs.
	Sealing Disc	30.0"	1 1/4"	16 1/4" _	19 1/2"	16 - 9/16"	27.5 lbs.
	Spacer Disc	21 1/2"	1 1/4"	16 1/4"	19 1/2"	16 - 9/16"	8.6 lbs.
30CC	Guide Disc	29 1/4"	1 5/8"	14 1/2"	18.0"	18 - 9/16"	36.3 lbs.
	Sealing Disc	30.0"	1 1/4"	14 1/2"	18.0"	18 - 9/16"	29.8 lbs.

	Spacer Disc	20 1/4"	1 1/4"	14 1/2"	18.0"	18 - 9/16"	8.7 lbs.
32"	Guide Disc	31 1/4"	1 5/8"	16 1/4"	19 1/2"	16 - 9/16"	40.0 lbs.
	Sealing Disc	32.0"	1 1/4"	16 1/4"	19 1/2"	16 - 9/16"	32.9 lbs.
	Spacer Disc	21 1/2"	1 1/4"	16 1/4"	19 1/2"	16 - 9/16"	8.6 lbs.
34"	Guide Disc	33 1/4"	1 5/8"	20 1/4"	23.0"	18 - 9/16"	39.2 lbs.
	Sealing Disc	34.0"	1 1/4"	20 1/4"	23.0"	18 - 9/16"	32.3 lbs.
	Spacer Disc	25 1/4"	1 1/4"	20 1/4"	23.0"	18 - 9/16"	9.9 lbs.
36"	Guide Disc	35 1/4"	1 3/4"	22 1/4"	25.0"	22 - 9/16"	44.6 lbs.
	Sealing Disc	36.0"	1 1/4"	22 1/4"	25.0"	22 - 9/16"	34.2 lbs.
	Spacer Disc	27 1/2"	1 1/4"	22 1/4"	25.0"	22 - 9/16"	11.2 lbs.

36CC	Guide Disc	35 1/4"	1 3/4"	16 1/2"	20.0"	22 - 9/16"	58.7 lbs.
	Sealing Disc	36.0"	1 1/4"	16 1/2"	20.0"	22 - 9/16"	44.3 lbs.
	Spacer Disc	22 1/4"	1 1/4"	16 1/2"	20.0"	22 - 9/16"	9.7 lbs.
40"	Guide Disc	39 1/4"	1 3/4"	22 1/4"	26.0"	24 - 5/8"	62.5 lbs.

	Sealing Disc	40.0"	1 3/8"	22 1/4"	26.0"	24 - 5/8"	52.0 lbs.
	Spacer Disc	28 1/2"	1 3/8"	22 1/4"	26.0"	24 - 5/8"	15.0 lbs.
42"	Guide Disc	41 1/4"	2.0"	24 1/2"	30.0"	24 - 5/8"	76.0 lbs.
	Sealing Disc	42.0"	1 3/8"	24 1/2"	30.0"	24 - 5/8"	55.4 lbs.
	Spacer Disc	32 1/2"	1 3/8"	24 1/2"	30.0"	24 - 5/8"	22.1 lbs.
48"	Guide Disc	47 1/4"	2 3/8"	32 1/4"	36.0"	24 - 5/8"	96.8 lbs.
	Sealing Disc	48.0"	1 1/2"	32 1/4"	36.0"	24 - 5/8"	64.7 lbs.
	Spacer Disc	38 1/2"	1 1/2"	32 1/4"	36.0"	24 - 5/8"	22.7 lbs.